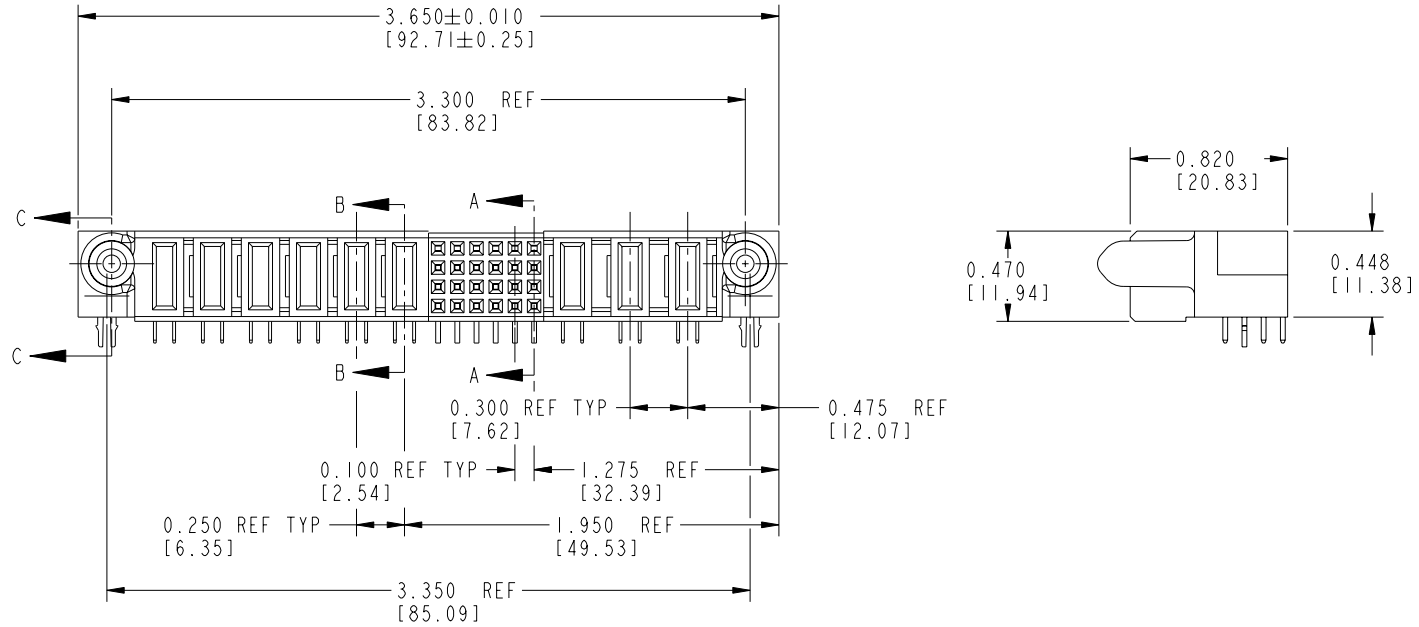


Tous droits strictement réservés. Reproduction ou communication a des tiers interdite sous quelque forme que ce soit sans autorisation écrite du propriétaire. Propriété de c FCI. Droits de reproduction FCI.

FCI

All rights strictly reserved. Reproduction or issue to third parties in any form whenever is not permitted without written authority from the proprietor. Property of FCI. Copyright FCI.

PRODUCT No.	ROWS	POWER						SIGNAL									
		E2	P9	P8	P7	P6	P5	P4	6	5	4	3	2	1	P3	P2	P1
51810-004_- NOTE: 2	D C B A		PC	PC	PC	PC	PC	PC	H	H	H	H	H	PA	PC	PC	
									G	G	G	G	G				
									F	F	F	F	F				



CODE	DIM "M" ±.010 [0.25]		CONTACT TYPE
E	N/A	[N/A]	SIGNAL
F	N/A	[N/A]	SIGNAL
G	N/A	[N/A]	SIGNAL
H	N/A	[N/A]	SIGNAL
PA	0.042	[1.07]	POWER
PC	0.092	[2.34]	POWER
HA	N/A	[N/A]	HOLD-DOWN

mat'l code				SEE NOTE		tolerances unless otherwise specified		CUSTOMER		FCI www.fciconnect.com	
ltr	ecn no.	dr	date	linear	.XX±.01/0.X±0.3		COPY		title 3ACP + 48S + 5P R/A STB RECEPTACLE		
A	V12259	JRW	9/26/01		.XXX±.005/0.XX±0.13		projection				
B	V12873	DAI	01/02/01	angles	.XXX±.0020/0.XXX±0.051				product family PwrBlade code 213		
C	DG05-0240	GuoJM	07/26/05		°±°						
				dr	J. WITMER	9/24/01	INCH/MM scale 1:1		product size dwg no A 51810-004 sheet 1 of 3		
				enr	J. ALLISON	9/24/01					
				chr	J. ALLISON	9/24/01					
				appd	J. ALLISON	9/24/01					
sheet index	revision sheet	C	C	C							
		1	2	3							

Pro/E

cage code 22526

PDM: Rev:C

STATUS: Released

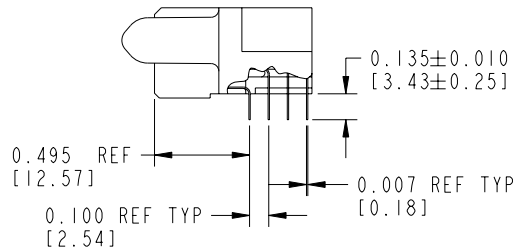
Printed: Aug 14, 2007

Tous droits strictement reserves. Reproduction ou communication a des tiers interdite sous quelque forme que ce soit sans autorisation écrite du propriétaire. Propriete de c FCI. Droits de reproduction FCI.

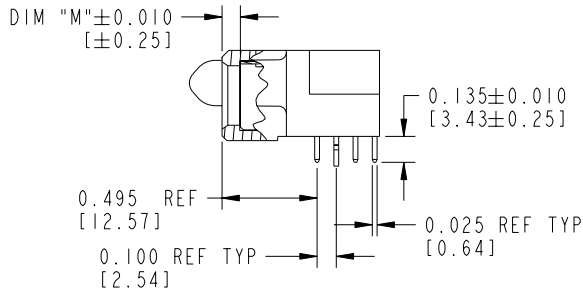
All rights strictly reserved. Reproduction or issue to third parties in any form whatever is not permitted without written authority from the proprietor. Property of FCI. Copyright FCI.

FCI

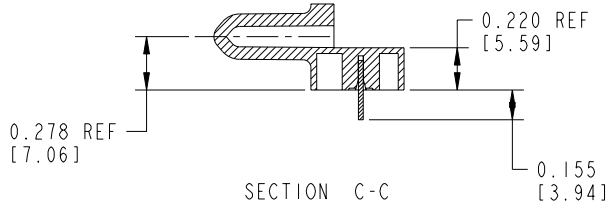
PRODUCT NUMBER
51810-004__
NOTE: 2



SECTION A-A

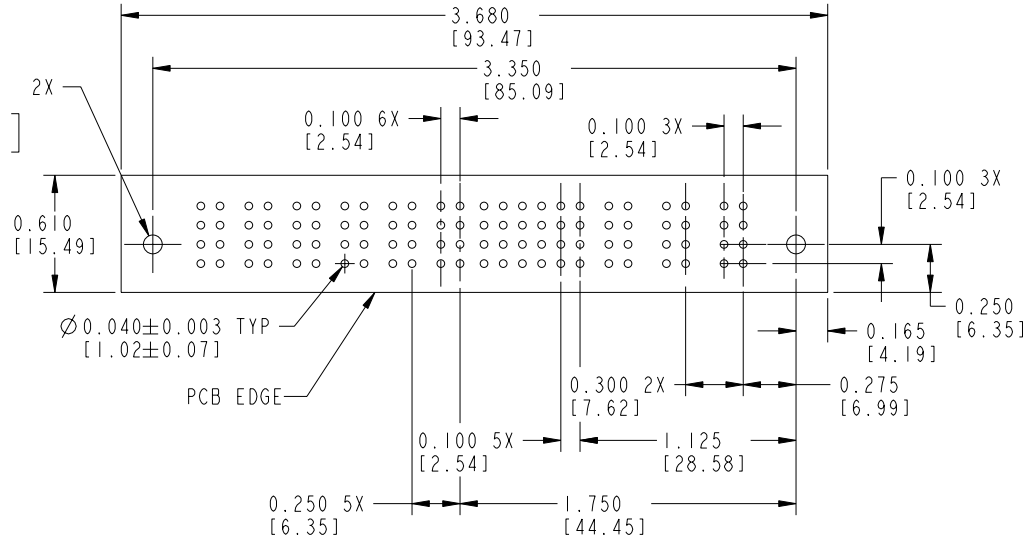


SECTION B-B



SECTION C-C

R0.049^{+0.002}_{-0.001} 2X
[1.24^{+0.05}_{-0.02}]



PCB EDGE

mat'l code		SEE NOTE		tolerances unless otherwise specified		CUSTOMER		www.fciconnect.com	
ltr	ecn no.	dr	date	linear	.XX±.01/0.X±0.3	COPY			
C				projection	.XXX±.005/0.XX±0.13			title 3ACP + 48S + 5P R/A STB RECEPTACLE	
				angles	.XXX±.0020/0.XXX±0.051			product family PwrBlade code 213	
				dr	J. WITMER 9/24/01	INCH/MM		size dwg no	
				engr	J. ALLISON 9/24/01	scale 1:1		A 51810-004	
				chr	J. ALLISON 9/24/01			sheet 2 of 3	
				appd	J. ALLISON 9/24/01				
sheet index	revision sheet							cage code 22526	

Pro/E

cage code 22526

PDM: Rev:C

STATUS: Released

Printed: Aug 14, 2007

Tous droits strictement reserves. Reproduction ou communication a des tiers interdite sous quelque forme que ce soit sans autorisation écrite du propriétaire. Propriete de c FCI. Droits de reproduction FCI.



All rights strictly reserved. Reproduction or issue to third parties in any form whatever is not permitted without written authority from the proprietor. Property of FCI. Copyright FCI.

PRODUCT NUMBER
51810-004__
NOTE: 2

CONNECTOR NOTES:

1. FOR ADDITIONAL INFORMATION, REFER TO DRAWING NUMBER 51810.

2. PLATING:

51810-004 Singal Pin:30u"/0.76um Au OVER 50u"/1.27um Ni ON THE CONTACT AREA,
AND 100u"/2.54um SnPb PLATING OVER 50u"/1.27um Ni ON THE TERMINATION SECTION.
Power Pin:30u"/0.76um Au OVER 50u"/1.27um Ni ON THE CONTACT AREA,
AND 100u"/2.54um SnPb PLATING OVER 50u"/1.27um Ni ON THE TERMINATION SECTION.

51810-004LF Singal Pin:30u"/0.76um Au OVER 50u"/1.27um Ni ON THE CONTACT AREA,
AND 78u"/2.00um Sn PLATING OVER 50u"/1.27um Ni ON THE TERMINATION SECTION.
Power Pin:30u"/0.76um Au OVER 50u"/1.27um Ni ON THE CONTACT AREA,
AND 78u"/2.00um Sn PLATING OVER 50u"/1.27um Ni ON THE TERMINATION SECTION.

PART NUMBER 51810-004LF MEETS EUROPEAN UNION DIRECTIVE AND OTHER COUNTRY REGULATIONS AS DESCRIBED IN GS-22-008.

THE HOUSING WILL WITHSTAND EXPOSURE TO 260° PEAK TEMPERATURE FOR 10 SECONDS IN A WAVE SOLDER APPLICATION WITH A CIRCUIT BOARD.

PCB NOTES:

3. ALL DIMENSIONS ARE BASIC UNLESS OTHERWISE SPECIFIED.
4. ALL THROUGH HOLES ARE LOCATED WITH A TRUE POSITION OF 0.004 [0.10]
5. ALL HOLE DIAMETERS ARE FINISHED HOLE SIZE.
6. Ø0.098 [2.49] THROUGH HOLES ARE UNPLATED.
7. Ø0.0453±0.0010 [1.151±0.025] DRILLED HOLES PLATED WITH 0.0003 [0.008] MIN SnPb OVER 0.001 [0.03] TO 0.003 [0.08] Cu PLATING TO ACHIEVE A Ø0.040±0.003 [1.02±0.07] HOLE.

mat'l code		SEE NOTE		tolerances unless otherwise specified		CUSTOMER		www.fciconnect.com	
ltr	ecn no.	dr	date	linear	.XX±.01/0.X±0.3	COPY			
C				linear	.XXX±.005/0.XX±0.13	projection			title 3ACP + 48S + 5P R/A STB RECEPTACLE
				angles	.XXX±.0020/0.XXX±0.051	INCH/MM			
				dr	0°±2°	scale		product family PwrBlade code 213	
				engr	J. WITMER 9/24/01	1:1			
				chr	J. ALLISON 9/24/01			size A 51810-004 sheet 3	
				appd	J. ALLISON 9/24/01				
sheet index	revision sheet								

cage code 22526

Pro/E

PDM: Rev:C

STATUS: Released

Printed: Aug 14, 2007